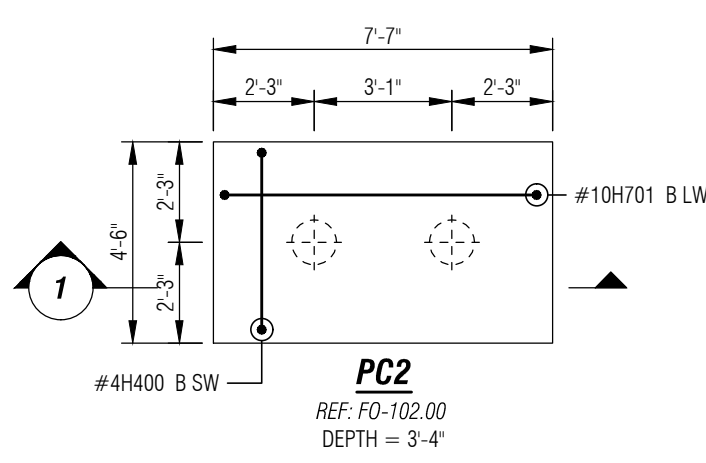
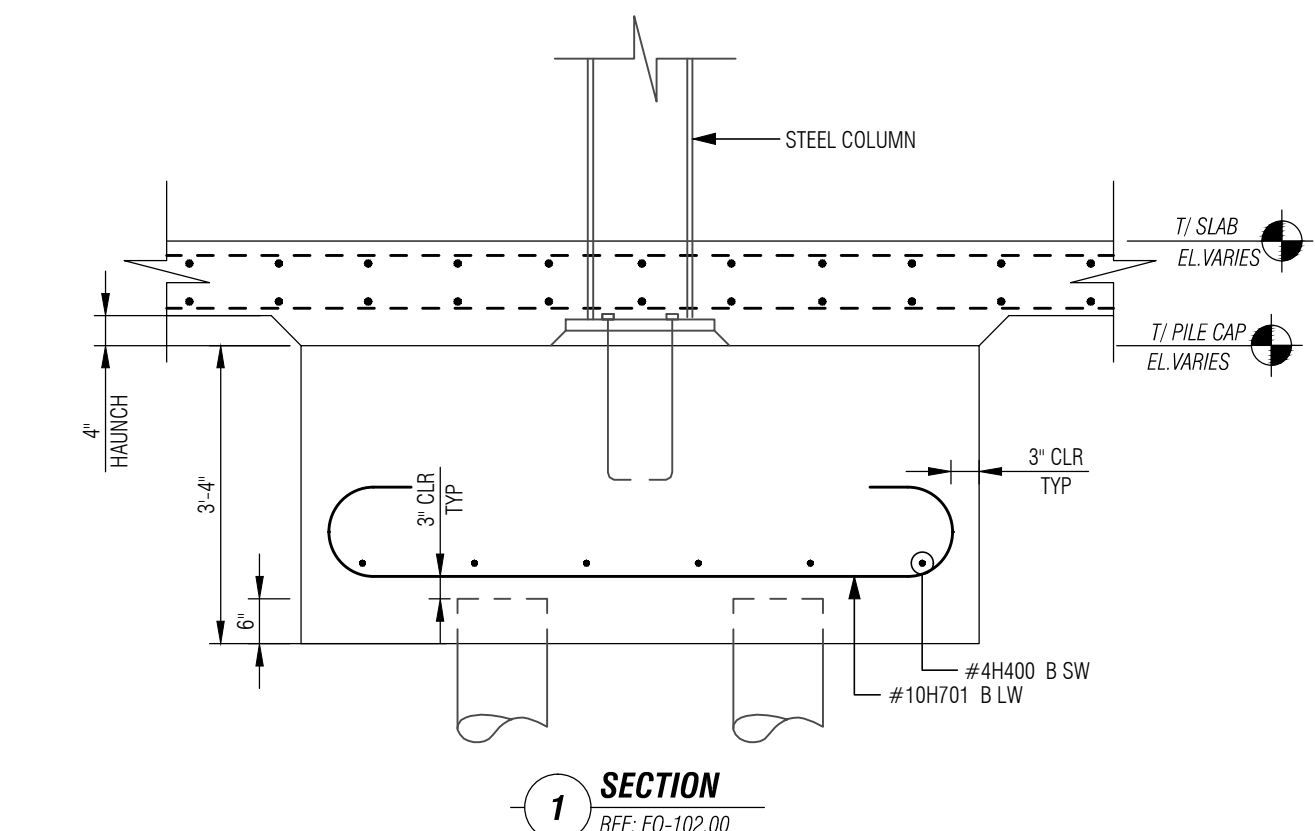


**PILE CAP & PIER SCHEDULE**  
REF: FO-102.00

PC MARK	QTY	GRID LOCATION	SIZE (L x W x D)	PILE CAP REINFORCEMENT	PIER MARK	SIZE (L x W)	T/PIER	PIER REINFORCEMENT	REMARKS
PC2	9	Q-5, S-5, 1-5, 1-2, N-5, P-2, R-2, S-2, T-2	7'-7" x 4'-6" x 3'-4"	9x5 #10H701 B LW 9x6 #4H400 B SW	--	--	--	--	SEE DETAIL-PC2
PC2A	2	K-5, L-5	7'-7" x 4'-6" x 3'-4"	2x5 #10H701 B LW 2x6 #4H400 B SW	P2	1'-10" x 1'-10"	+3-11"	2x12 #6L709 V 2x2x5 #3T718 @12" TIES	SEE DETAIL-PC2A
PC3	1	D-7	7'-7" x 7'-2" x 3'-6"	6 #10H708 B 1/2 EW 3 #10H701 B	P2	1'-10" x 1'-10"	+3-11"	12 #6L802 V 5 #3T1818 @12" TIES 2x5 #3T718 @12" TIES	SEE DETAIL-PC3

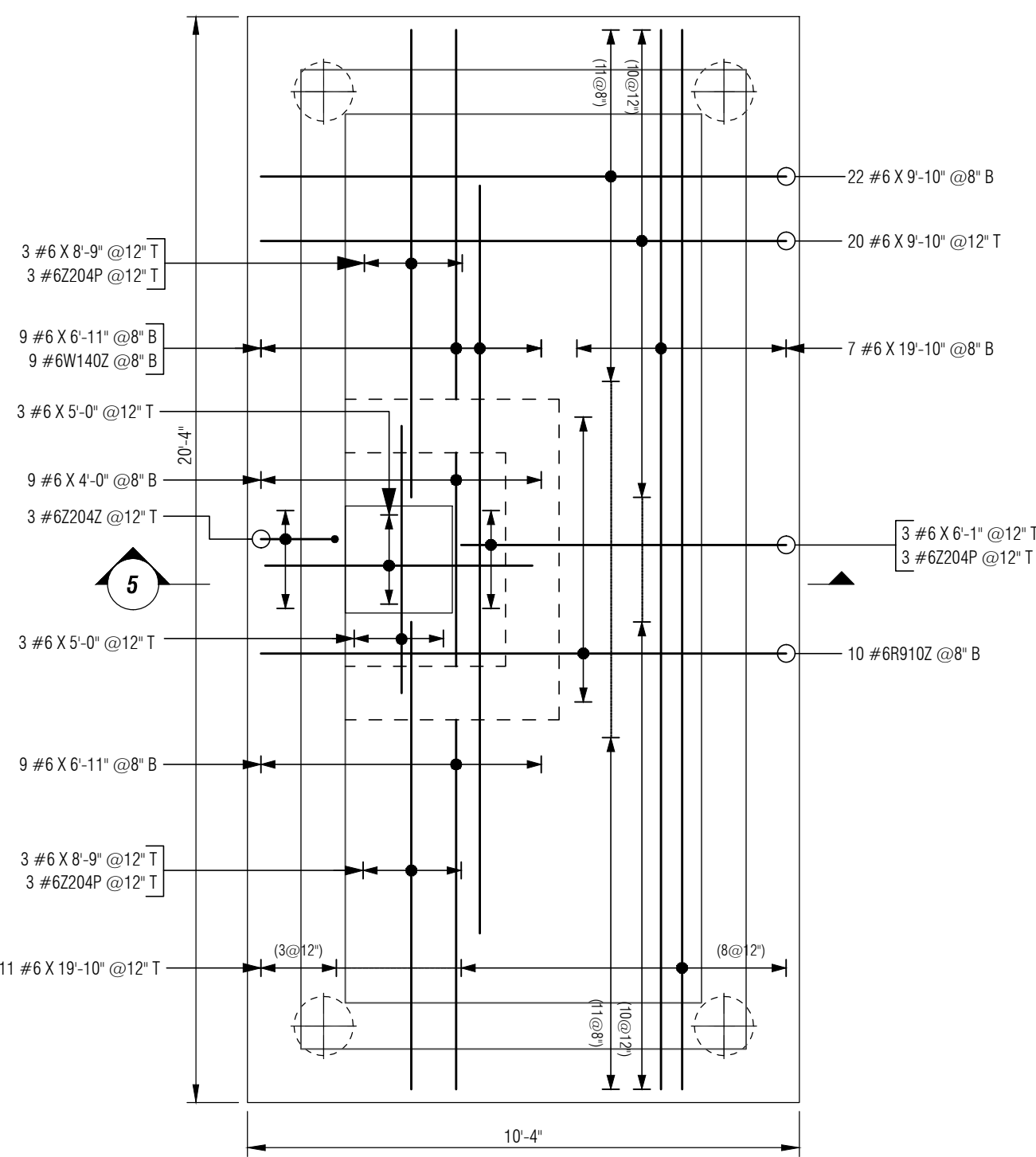
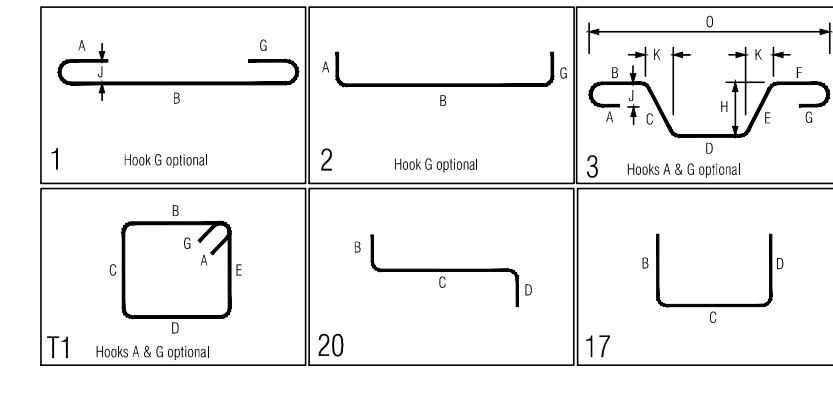


**PC2**  
REF: FO-102.00  
DEPTH = 3'-4"

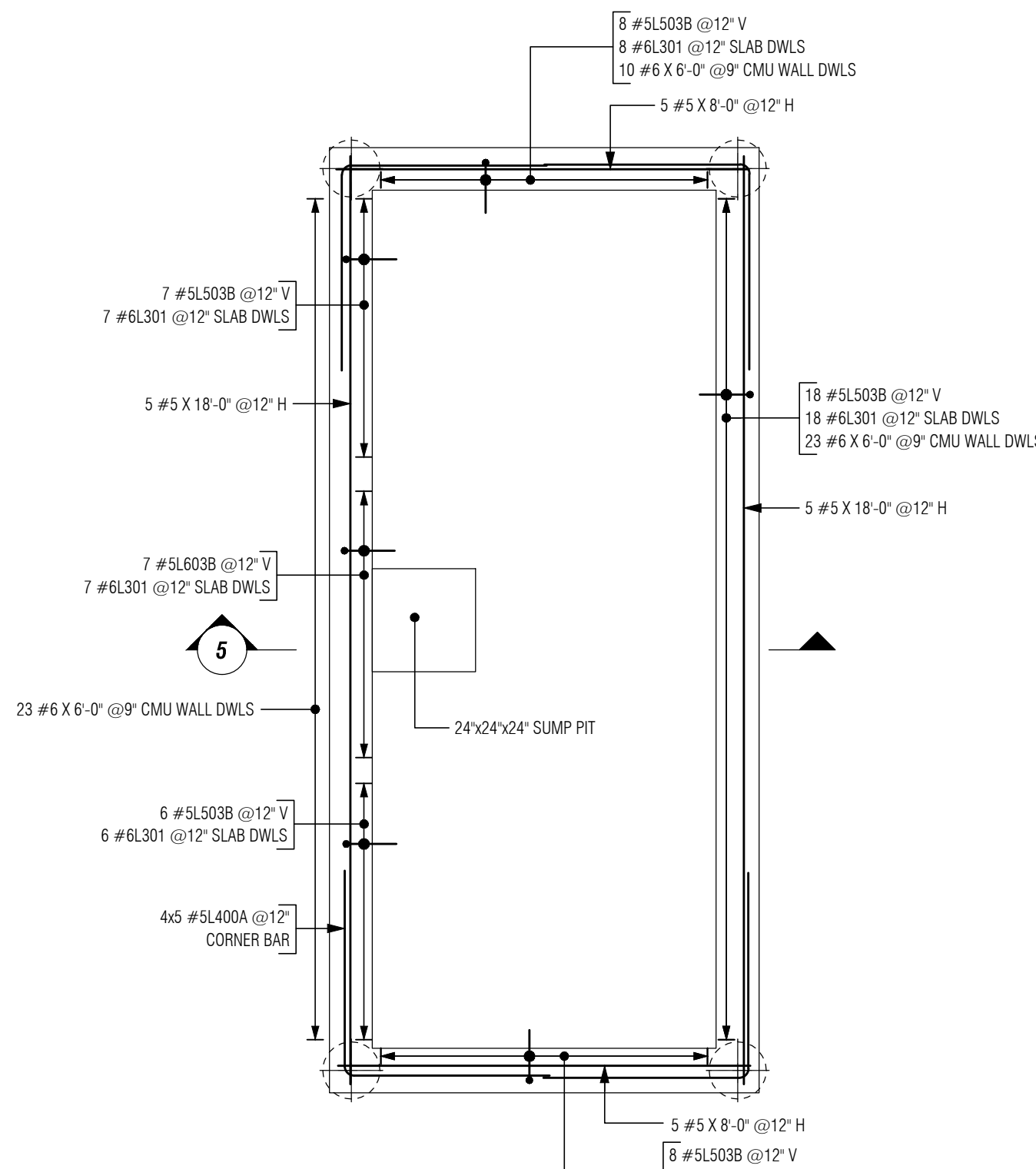


**1 SECTION**  
REF: FO-102.00

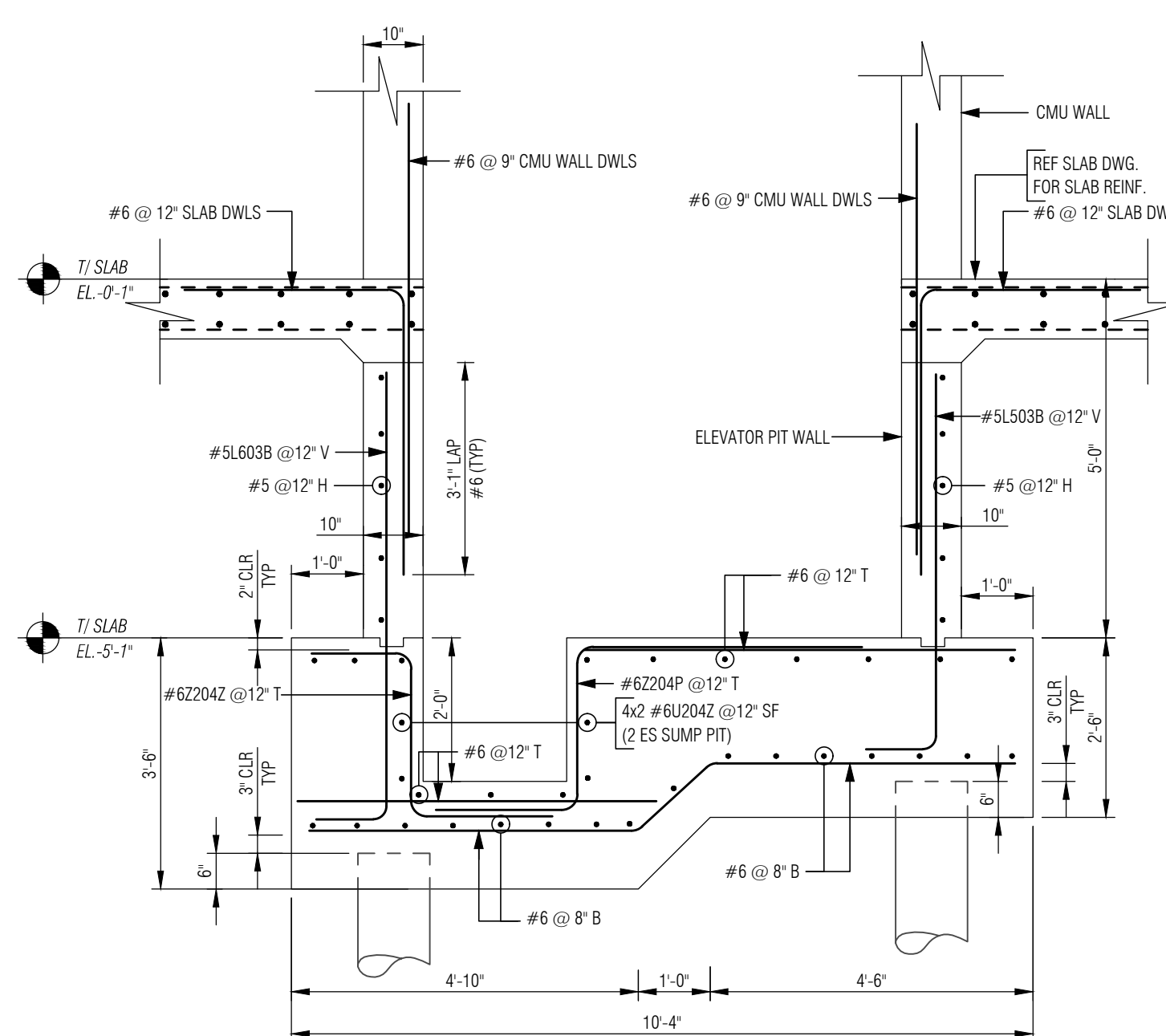
Release Number: R01		BAR LIST																
Bar Mark	Qty	Size	Total Length	Type	X	Y	Z	W	V	U	T	S	R	Q	P	O	N	
3T718	30	#3	4'-10"	T1	0'-4"	0'-7"	1'-6"	0'-7"	1'-6"	0'-7"	1'-6"	0'-7"	1'-6"	0'-7"	1'-6"	0'-7"	1'-6"	
3T1818	15	#3	6'-8"	T1	0'-4"	0'-7"	1'-6"	0'-7"	1'-6"	0'-7"	1'-6"	0'-7"	1'-6"	0'-7"	1'-6"	0'-7"	1'-6"	
4H400	66	#4	5'-0"	T	0'-6"	4'-0"												
5L5038	47	#5	6'-3"	T	1'-0"	5'-3"												
5L6038	7	#5	7'-3"	T	1'-0"	6'-3"												
5L400A	20	#5	8'-0"	T	1'-0"	4'-0"												
6L204Z	8	#6	5'-4"	T	1'-6"	2'-4"	1'-6"											
6L204Z	3	#6	5'-9"	T	1'-5"	2'-4"	2'-0"											
6L301	54	#6	7'-1"	T	4'-0"	3'-1"												
6L204P	9	#6	8'-4"	T	4'-0"	2'-4"	2'-0"											
6L709	24	#6	8'-9"	T	1'-0"	7'-9"												
6L802	12	#6	9'-2"	T	1'-0"	8'-2"												
6R910Z	10	#6	10'-3"	T	4'-2"	1'-5"	4'-7"											
6W140Z	9	#6	14'-10"	T	4'-0"	1'-5"	4'-0"	1'-5"	4'-0"									
10H701	58	#10	9'-11"	T	1'-5"	7'-1"												
10H708	6	#10	10'-6"	T	1'-5"	7'-9"												



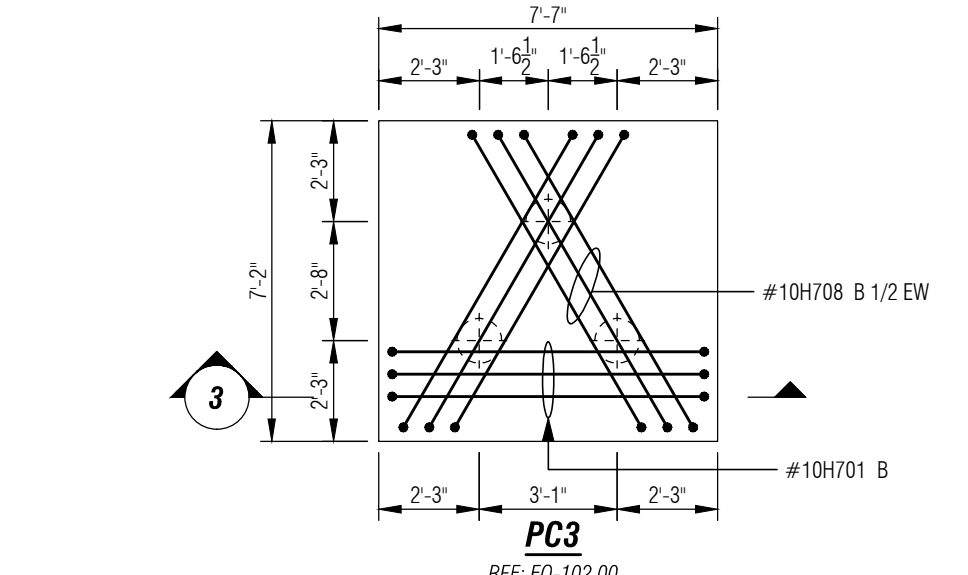
**ELEVATOR PIT FOUNDATION PLAN**  
REF: F-002



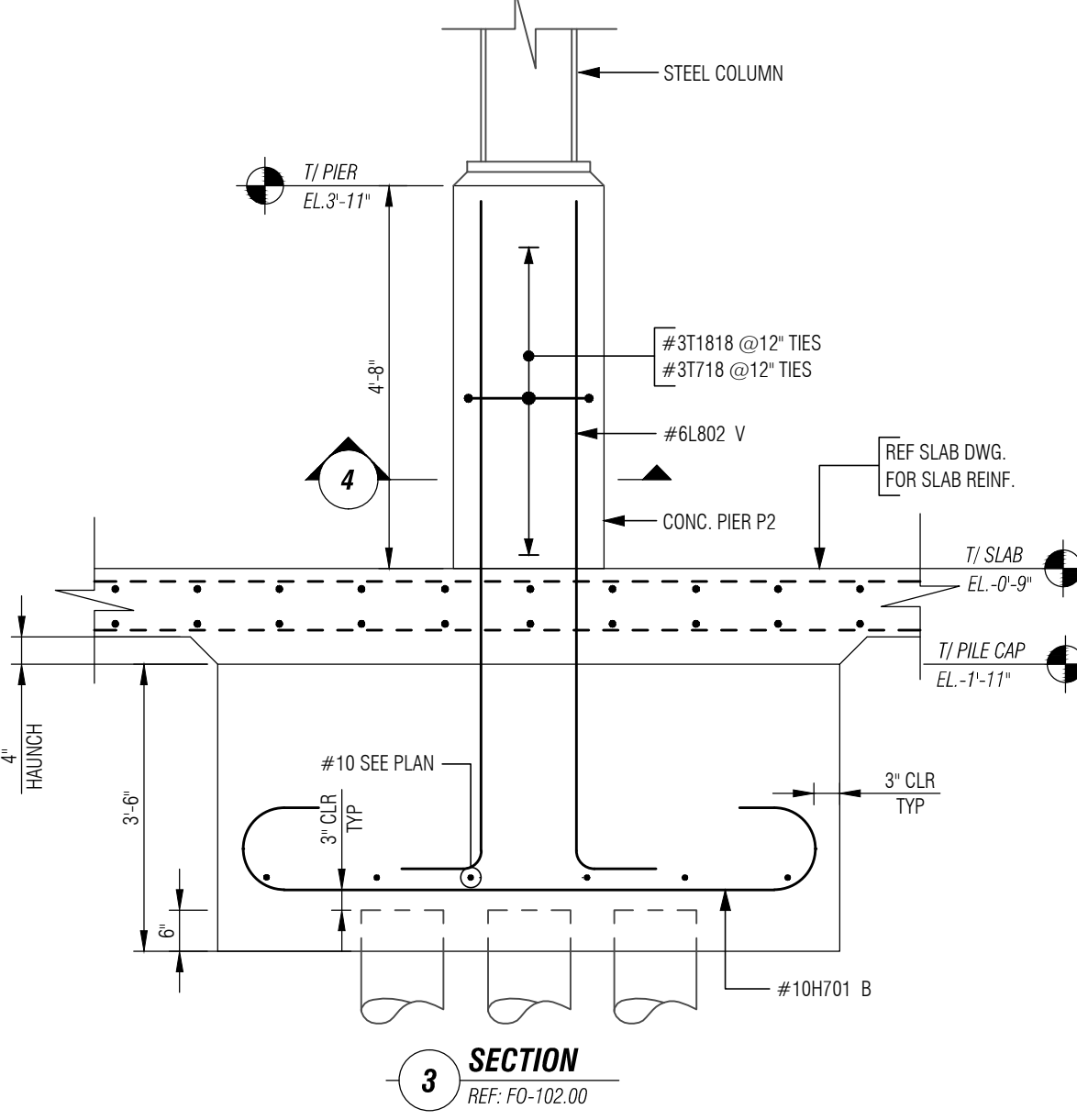
**ELEVATOR PIT WALL PLAN**  
REF: F-002



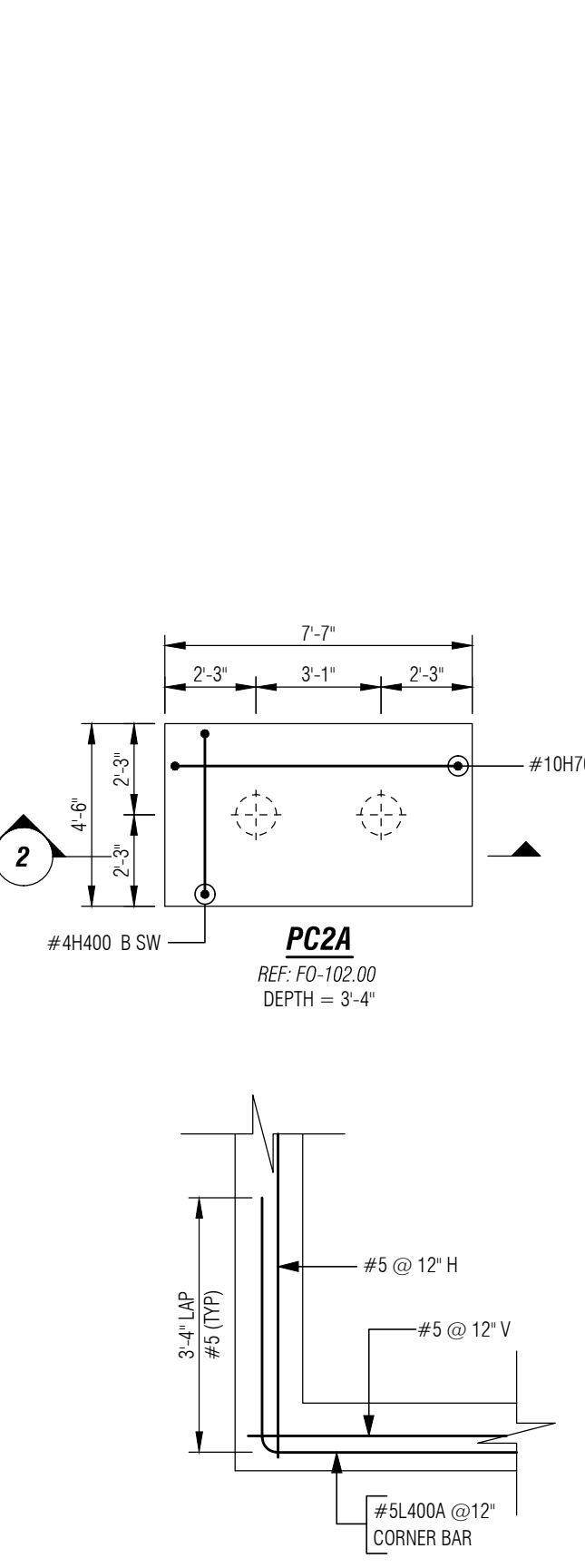
**5 SECTION**  
REF: FO-104.00



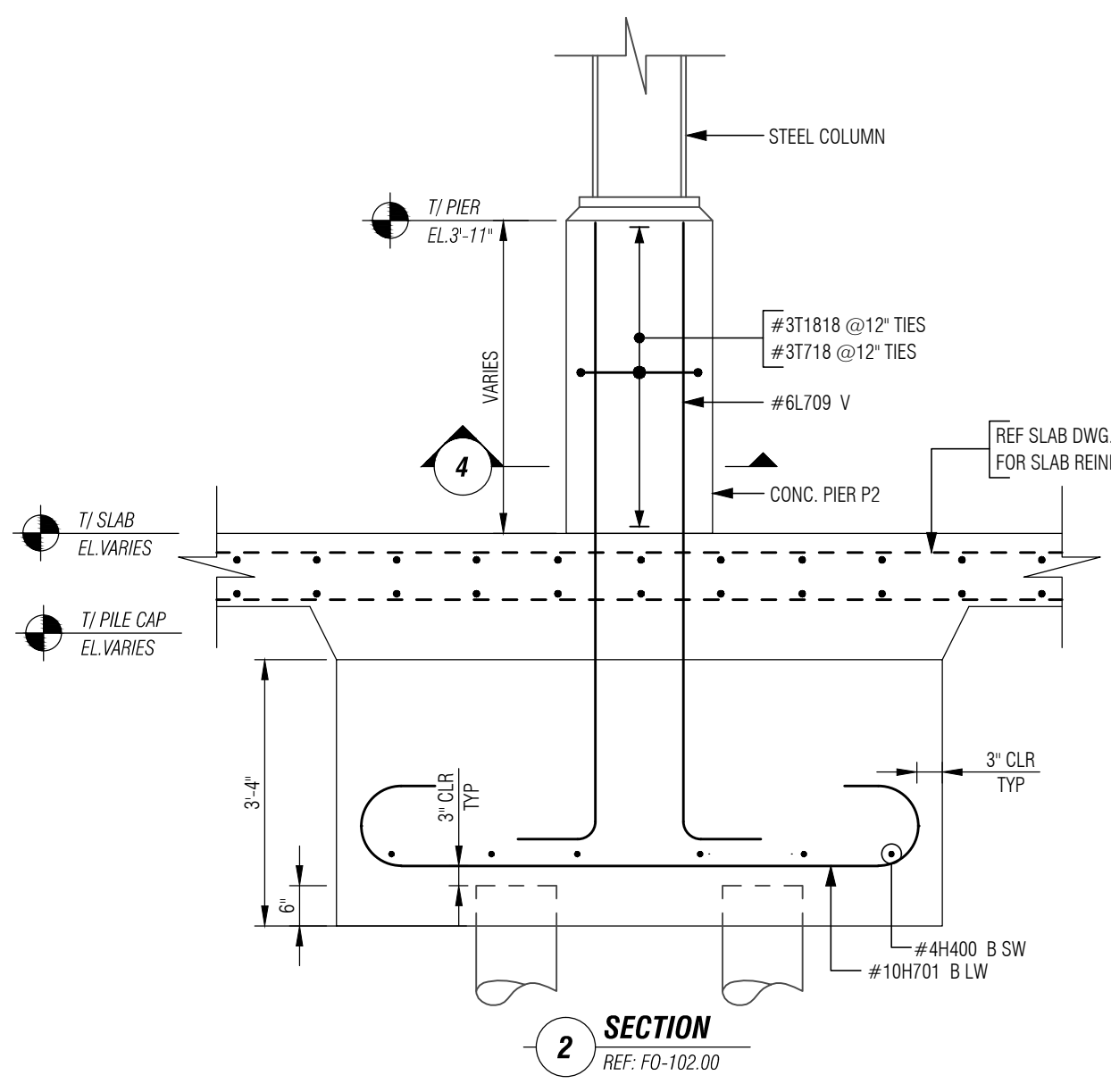
**PC3**  
REF: FO-102.00  
DEPTH = 3'-6"



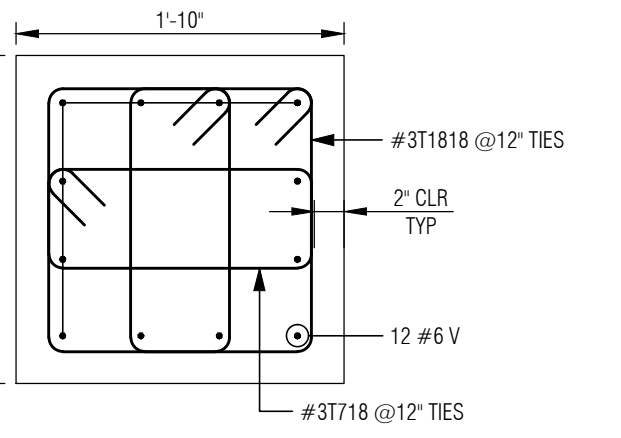
**3 SECTION**  
REF: FO-102.00



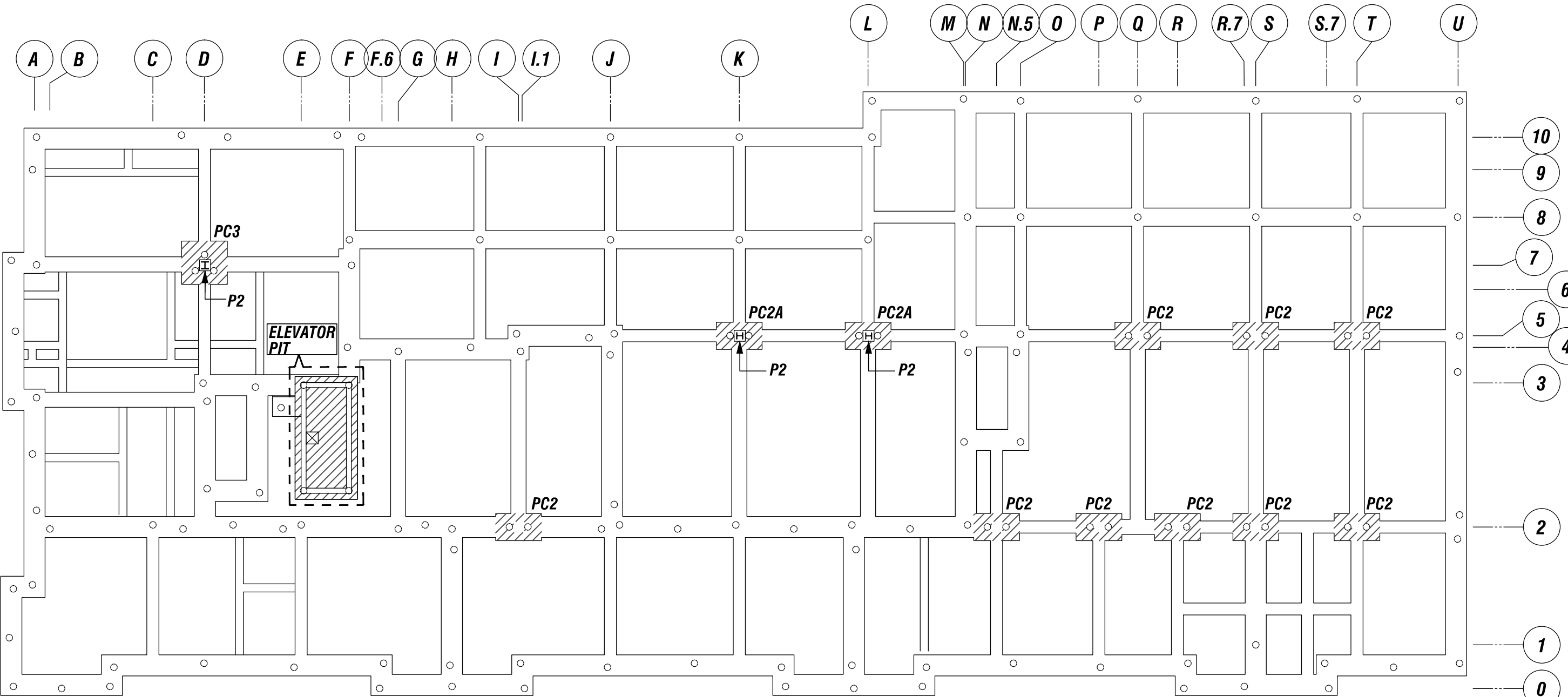
**TYPICAL CORNER BAR DETAIL**  
REF: FO-101.00



**2 SECTION**  
REF: FO-102.00



**4 SECTION**  
REF: FO-101.00



**KEY PLAN**  
REF: FO-002.00

**LAP SCHEDULE (BLACK):**  
As per Lap Schedule, DWG FO-101.00

BAR#	LENGTHS	
	TOP	OTHERS
#3	2'-0"	1'-7"
#4	2'-8"	2'-1"
#5	3'-4"	2'-7"
#6	4'-0"	3'-1"
#7	5'-10"	4'-6"
#8	6'-8"	5'-2"
#9	7'-7"	5'-10"
#10	8'-6"	6'-7"
#11	9'-5"	7'-3"

**LEGEND**

- AB: Addl. Bottom
- ADDL: Additional Bar
- CB: Corner Bar
- COL: Column
- D/V: Dowel Vertical
- EMBD: Embedment
- EF: Each Face
- EW: Each Way
- GB: Grade Beam
- IF: Inside face
- OPNG: Opening
- OF: Outside Face
- T/: Top of
- WWF: Welded Wire Fabric
- UON: Unless Otherwise Noted
- AT: Addl. Top
- ALT: Alternate
- B: Bottom
- CLR: Clear
- DWLS: Dowels
- EL: Elevation
- ES: Each Side
- FTG: Footing
- H: Horizontal
- LW: Long way
- OC: On Center
- REF: Reference
- SW: Short Way
- TYP: Typical
- V: Vertical

**ASTM A615 (60 BLACK)**  
REF: S-001.00

NOTE: This Placing Dwg is for rebar placing purposes only. Do Not Scale. Use Placing Dwg in conjunction with contract plans & specs. Info contained within Placing Dwg is not for construction, unless the engineer or contractor approves it.



**Omni Rebar Inc.**  
293 Castle Ave, Suite 1c  
Westbury, NY 11590  
516.544.4333

Customer: \_\_\_\_\_  
Project: \_\_\_\_\_  
Location: \_\_\_\_\_  
Title: **Foundation Reinforcement Details**

Job: -  
OR: \_\_\_\_\_

**R01**